


COMMERCIAL TRIM

GLAZED CERAMIC

AQUABELLA

POOL TILE | PAVERS & COPING | ACCESSORIES | POOL FINISHES

SIZES

	Thickness	Sq. Ft./Carton	Pieces/Carton
 6 x 6 (6" x 6") Wall Tile (15.31 cm x 15.31 cm)	5/16" 7.90 mm	12.50	50

APPLICATIONS

	Target DCOF wet	Suitable
Dry & Level – Interior Floor	N/A	
Wet & Level – Interior Floor	≥ 0.42	
Shower Floors – Linear Drain or Standard Center Drain (Residential only)	≥ 0.60	✓*
Exterior Floor Applications, (including pool edges, pool steps & other wet areas with minimal footwear)	≥ 0.60	✓*
Ramps & Inclines	≥ 0.65	
Walls/Backsplashes	N/A	✓
Countertops	N/A	
Pool Linings	N/A	✓
Pool Steps	N/A	✓*


A DCOF value of ≥0.42 is the standard for tiles specified for level interior spaces expected to be walked upon when wet, as stated in ANSI A137.1-A326.3. For more information about DCOF and the DCOF AcuTest™, visit daltille.com/DCOF.

APPLICATION NOTES:

Suitable for exterior applications (provided it is noted as suitable in the applications chart above) in non-freezing climates, when proper installation methods are followed.

* Abrasive finish only.



INSTALLATION

Grout Joint Recommendation	Shade Variation
1/16"	 Low (V1)

MUNSELL & LRV	Glossy		Abrasive
	MUNSELL	LRV	LRV
		Illuminate-OBS: F02-02 (CWF)	Illuminate-OBS: F02-02 (CWF)
SEA BREEZE 1174	5.8PB 3.6/5.6	9.1	11.2
COBALT DM14	9.9PB 2.5/4.4	4.7	5.8
SAPPHIRE SKY DM70	7.6PB 3.2/4.4	7.0	9.4
BLACK K111	10.0B 2.6/0.1	5.0	6.2

 PRE-CONSUMER RECYCLED MATERIALS

TRIM

Type	Number	Size	Pieces/Carton
 Radius Bullnose	A4200	2 x 6	100
 Radius Bullnose	A3602	6 x 6	44

Available in both glossy and abrasive finish.

PERFORMANCE CHARACTERISTICS

	ASTM#	Result
Water Absorption	C373	< 20.0%
Breaking Strength	C648	120 - 230 lbs
Scratch Hardness	C1895	4.0 - 6.0
Chemical Resistance	C650	Resistant

For additional information on test results, visit us at: daltille.com/information/TestResults.

DURABILITY

Floor Surface Wear Resistance

1 Residential Bathrooms (3)	All Residential / Light Commercial*
2 All Residential Areas	4 All Residential / Commercial

* Abrasive finish only.

NOTES

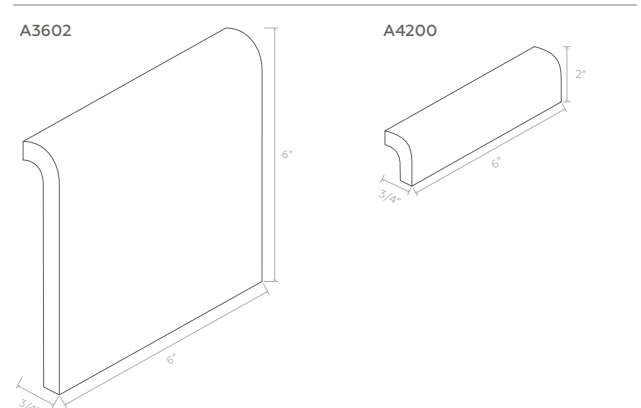
Since there are variations in all fired ceramic products, tile and trim supplied for your particular installation may not match these samples. Final color selection should be made from actual tiles and trim and not from tile samples or color reproductions. Manufactured in accordance with ANSI A137.1 standards.

Water, oil, grease, etc. create slippery conditions. Floor applications with exposure to these conditions require extra caution in product selection. Abrasive surface is not suitable for use on ramps.

Special care should be taken when grouting, a grout release is recommended to prevent finely powdered pigments from lodging in the pores of the tile surface.

It is necessary to follow the proper procedures and recommendations from the grout and maintenance products' manufactures.

TRIM DIMENSIONS



ZEROTOX
Healthy Homes | Healthy Planet